



Bulletin Number: 88-8-8A
Reference Number: 888304R
Publish Date: 4/88

PONTIAC DIVISION

'88



Dealer
Service
Bulletin



Subject: 1988 INSTRUMENT CLUSTER AND DIC
CONTROLLER EXCHANGE/REPAIR PROGRAM

**Models
Affected:** 1988 FIREBIRD, BONNEVILLE, SUNBIRD,
FIERO, GRAND PRIX, AND 6000

This bulletin is being revised to include automatic transmission application under figure 3. Please discard bulletin 88-8-8 issued 12/87.

Pontiac is pleased to announce an Exchange/Repair Program for instrument clusters and DIC (Driver Information Center) controllers used on the above listed models. This program provides repaired instrument clusters or DIC controllers in exchange for inoperative ones at a cost substantially below new replacement parts.

Instrument clusters and DIC controllers are serviced by the exchange units listed in this bulletin. See pages with illustrations, for part numbers and applications.

Exchange units are obtained by telephoning one of the twenty nine authorized AC-Delco Service Centers listed on the last three pages of this bulletin. They are shipped with memo billings, via UPS (next-day UPS if specified by dealer), within 24 hours of the request. The memo billings are cancelled when inoperative instrument clusters or DIC controllers are received by the service center from which exchange units were obtained.

Please adhere to the following procedure when a vehicle requires dealer service for an inoperative instrument cluster or DIC controller.

1. Follow the diagnostics procedure in the service manual precisely and completely. Many problems perceived by the observer to be in the instrument cluster or DIC controller are often actually problems with remote sensors and connectors. Proper diagnostics will identify the source of the problem and avoid unnecessary removal and shipping of functional assemblies to service centers.

(CONTINUED)

Pontiac bulletins are intended for use by professional technicians, NOT a "do-it-yourselfer." They are written to inform these technicians of conditions that may occur on some vehicles, or to provide information that could assist in the proper service of a vehicle. Properly trained technicians have the equipment, tools, safety instructions, and know-how to do a job properly and safely. If a condition is described, DO NOT assume that the bulletin applies to your vehicle, or that your vehicle will have that condition. See your Pontiac dealer for information on whether your vehicle may benefit from the information.

Read, Initial & Pass On

• Service Supervision

• Parts

• Accounting

2. When diagnostics are complete and the fault is determined to be in the instrument cluster or DIC controller, call one of the service centers and request the appropriate exchange unit. If the service center called does not have the exchange unit in stock, call other service centers until an exchange unit is located. If the odometer is part of the exchange unit, tell the service center the mileage to which it should be set.
3. Upon receiving the exchange unit from the service center, take it into the vehicle still packed in the reusable shipping container. The container protects it from damage due to static electricity. Use care in handling the exchange unit and the inoperative instrument cluster or DIC controller. Hands must be free of dirt and grease. AVOID TOUCHING ELECTRONIC COMPONENTS, AS ELECTRO-STATIC DISCHARGE CAN DEGRADE PERFORMANCE OR CAUSE FAILURE.
4. Remove the inoperative instrument cluster or DIC controller and replace it with the exchange unit.
5. Include a description of the instrument cluster or DIC controller problem in the "Nature of Problem" area of the ACD-1078 form. Pack the inoperative instrument cluster or DIC controller in the reusable shipping container together with all five copies of the completed ACD-1078 warranty form.
6. Enclosed in the reusable container is an addressed shipping label. Attach this label to the outside of the box and ship immediately to the service center from which you obtained the exchange unit. The dealer copy of the ACD-1078 warranty form will be returned and the memo billing cancelled upon receipt of the inoperative instrument cluster or DIC controller at the service center.
7. Failure to return the inoperative instrument cluster or DIC controller in the SPECIAL REUSABLE CONTAINER, can result in a container replacement fee. Failure to return the ACD-1078 WARRANTY FORM within 30 days of the date the exchange unit was shipped, can result in a repair fee. Failure to return the INOPERATIVE INSTRUMENT CLUSTER OR DIC CONTROLLER within 30 days of the date the exchange unit was shipped, can result in a cluster or controller replacement fee.

The success of the instrument cluster and DIC controller Exchange/Repair Program is dependent upon prompt return of the inoperative cluster or controller to the service center. Your cooperation is essential to maintaining sufficient quantities of exchange stock.

(CONTINUED)

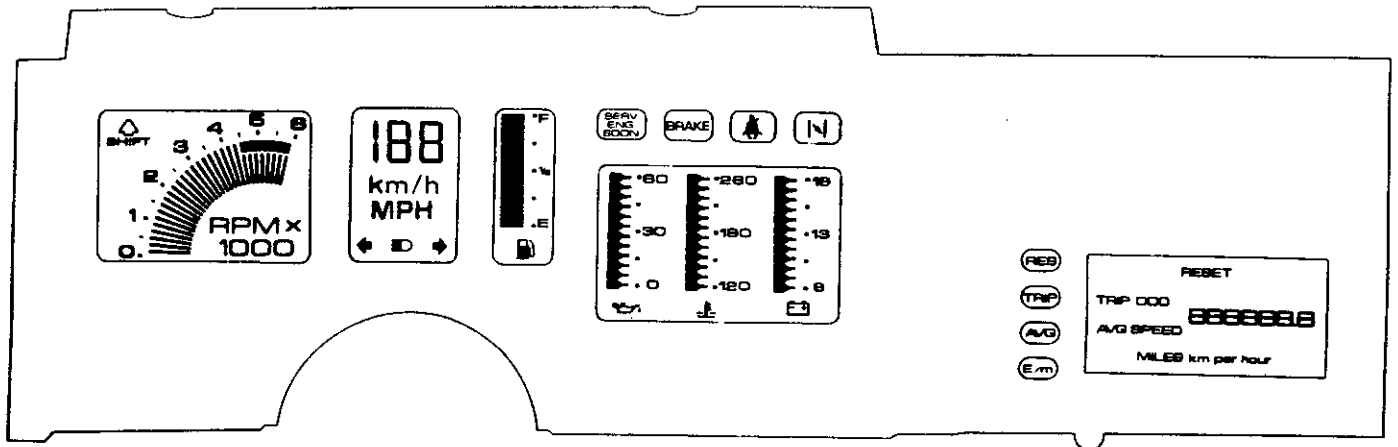
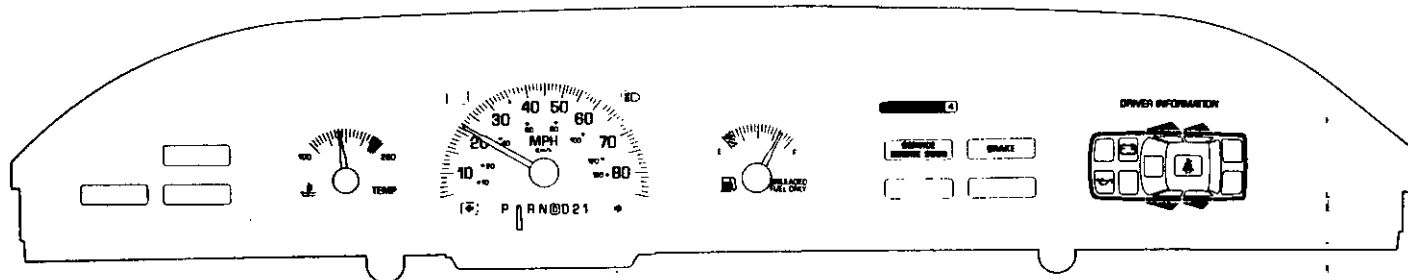


FIGURE 1

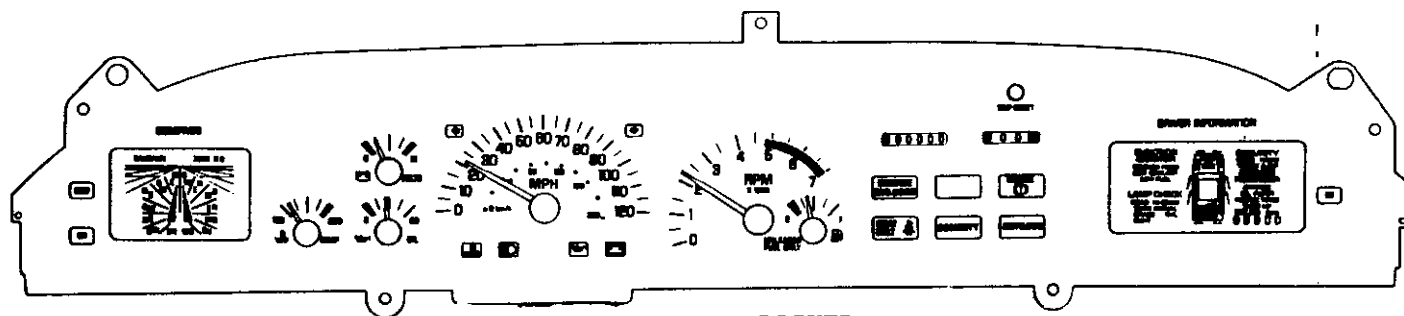
1988 FIREBIRD MODELS
LIQUID CRYSTAL DISPLAY INSTRUMENT CLUSTER

<u>EXCHANGE UNIT/OEM PART NUMBER</u>	<u>APPLICATION</u>
25086563	U.S. - 8 Cyl.
25086566	Canadian - 8 Cyl.
25086564	U.S. - 8 Cyl. - High Output
25086567	Canadian - 8 Cyl. - High Output

Exchange unit consists of complete instrument cluster less non-volatile memory odometer module. (Module remains with vehicle.)



BASE - SHIFT INDICATOR -
WITHOUT TEMPERATURE LIGHT



GAGE - COMPASS - DRIVER
INFORMATION CENTER

FIGURE 2

1988 BONNEVILLE MODELS
ELECTROMECHANICAL INSTRUMENT CLUSTER

<u>EXCHANGE UNIT/OEM PART NUMBER</u>	<u>APPLICATION</u>
25080459	U.S. - Base - Shift Indicator-Without Temperature Light
16120162	U.S. - Base - Shift Indicator-With Temperature Light
25080468	Canadian - Base - Shift Indicator-Without Temperature Light
16120172	Canadian - Base - Shift Indicator-With Temperature Light
25080463	U.S. - Gage - Shift Indicator
25080472	Canadian - Gage - Shift Indicator
25080478	Export - Gage - DIC
25085854	U.S. - Gage - DIC
25085855	Canadian - Gage - DIC
25085539	U.S. - Gage - Compass - DIC
25087959	Canadian - Gage - Compass - DIC

Exchange unit consists of complete instrument cluster.

(CONTINUED)

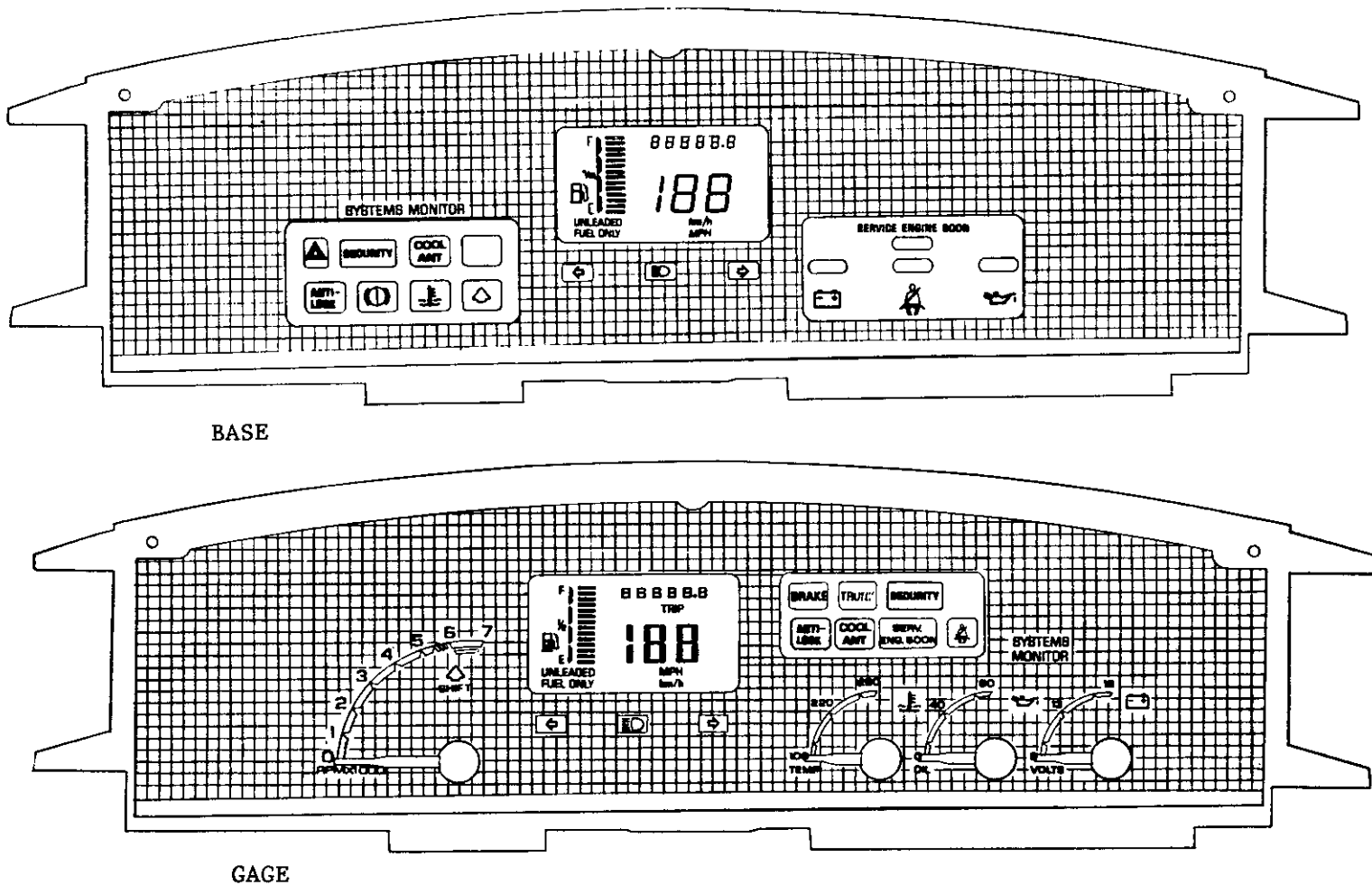


FIGURE 3

1988 GRAND PRIX MODELS
LIQUID CRYSTAL DISPLAY INSTRUMENT CLUSTER

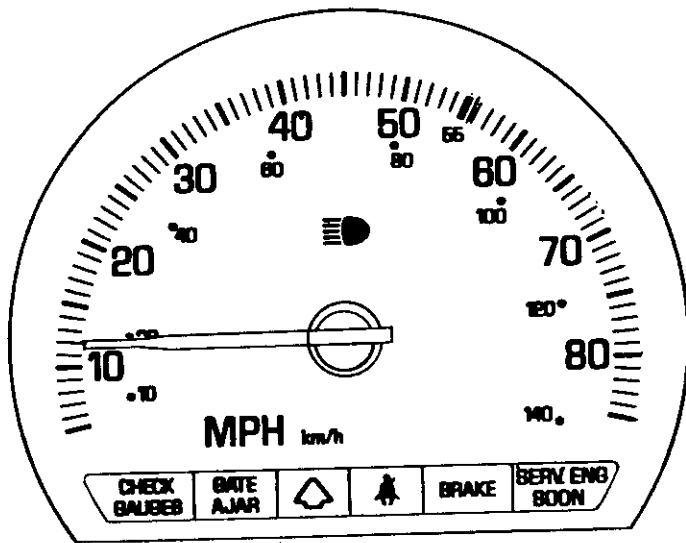
EXCHANGE UNIT/OEM
PART NUMBER

APPLICATION

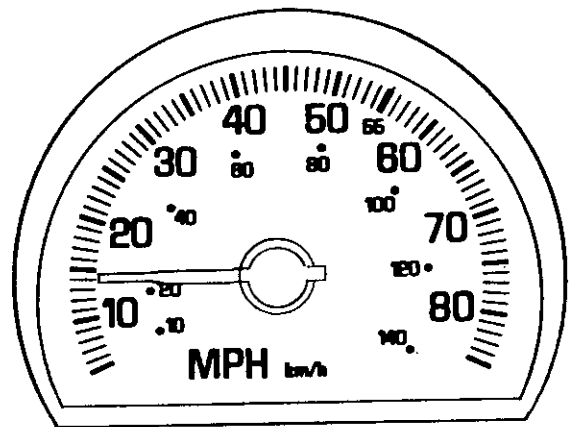
25122123	U.S. - Base - Man Trans/Auto Trans With Console
25083775	Canadian - Base - Man Trans/Auto Trans With Console
25122125	U.S. - Base - Automatic Transmission
25083777	Canadian - Base - Automatic Transmission
25122127	U.S. - Gage - Man Trans/Auto Trans With Console
25081575	Canadian - Gage - Man Trans/Auto Trans With Console
25122129	U.S. - Gage - Automatic Transmission
25081577	Canadian - Gage - Automatic Transmission

Exchange unit consists of complete instrument cluster.

(CONTINUED)



BASE



GAGE

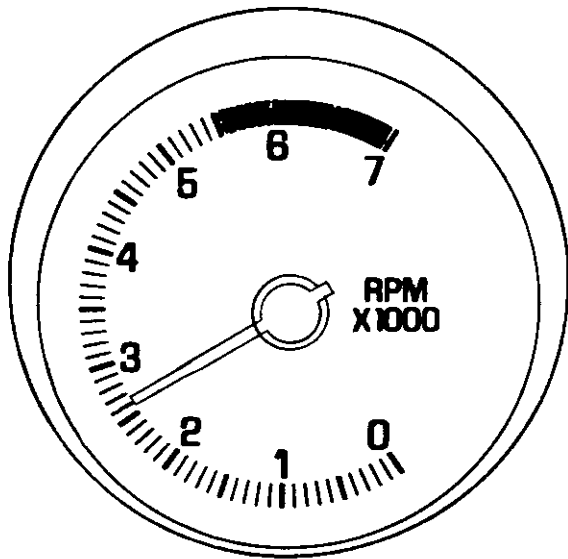
FIGURE 4

1988 SUNBIRD MODELS
ELECTROMECHANICAL SPEEDOMETER

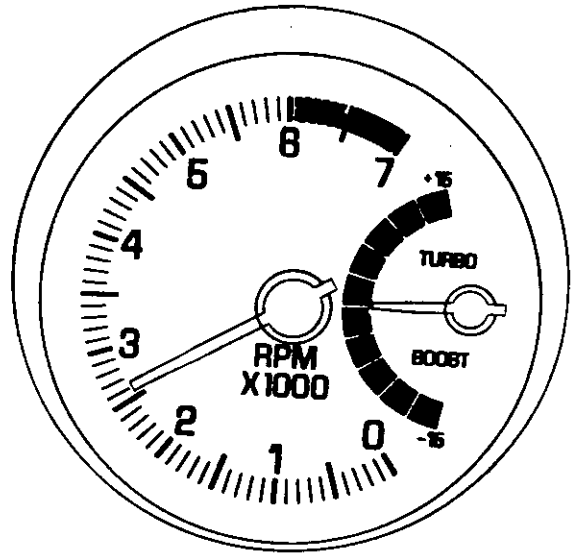
<u>EXCHANGE UNIT/OEM PART NUMBER</u>	<u>APPLICATION</u>
25061813	U.S. - Gage - Turbo - Services OEM Part Number 25085415
25061797	Canadian - Gage - Turbo Services OEM Part Number 25085417
25061809	U.S. - Gage - Tachometer - Non-Turbo - Services OEM Part Number 25085414
25061800	Canadian - Gage - Tachometer - Non-Turbo - Services OEM Part Number 25085416
25061807	U.S. - Base - Service OEM Part Number 25085411
25061812	Canadian - Base - Services OEM Part Number 25085413
25061804	U.S. - Gage - Services OEM Part Number 25085412

Exchange unit consists of mechanism and circuit board. (Odometers and motors remain with vehicle.)

(CONTINUED)



NON-TURBO



TURBO

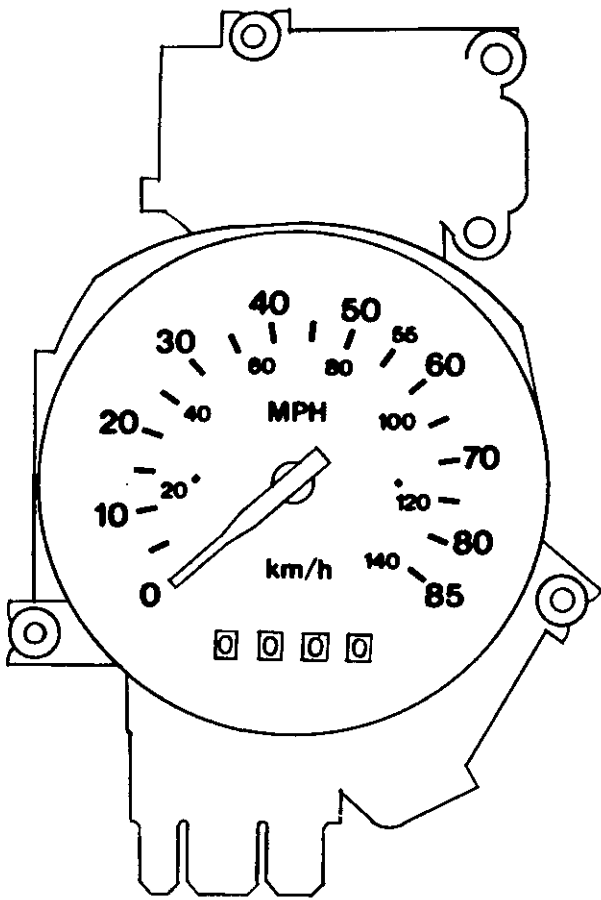
FIGURE 5

1988 SUNBIRD MODELS
ELECTRONIC TACHOMETER

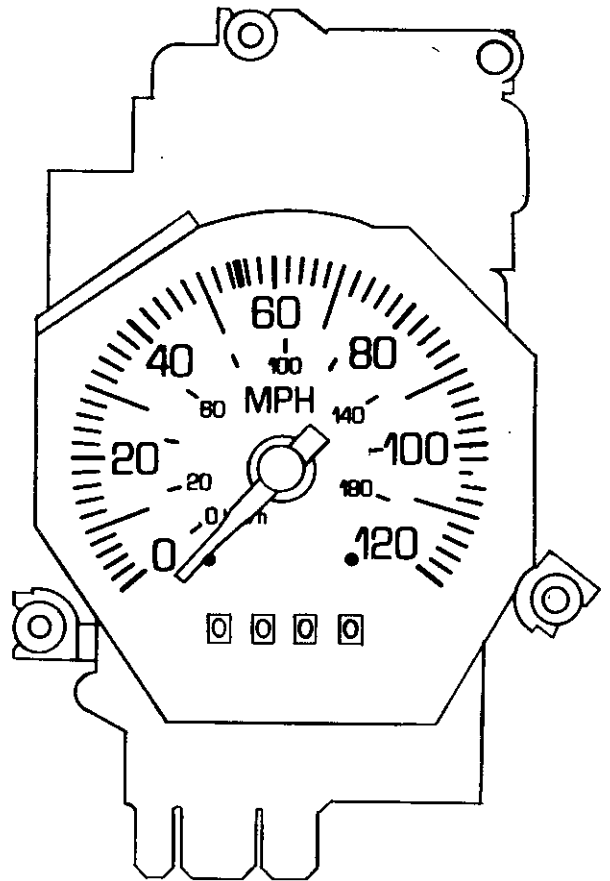
<u>EXCHANGE UNIT PART NUMBER</u>	<u>APPLICATION</u>
25061801	Non-Turbo - Services OEM Part Numbers 25085414 and 25085416
25061814	U.S. - Turbo - Services OEM Part Number 25085415
25061799	Canadian - Turbo - Services OEM Part Number 25085417

Exchange unit consists of mechanism and circuit board.

(CONTINUED)



4 CYL.



6 CYL.

FIGURE 6

1988 FIERO MODELS
ELECTROMECHANICAL SPEEDOMETER

<u>EXCHANGE UNIT PART NUMBER</u>	<u>APPLICATION</u>
25059983	U.S. - 4 Cyl. - Services OEM Part Number 25084677
25059984	Canadian - 4 Cyl. - Services OEM Part Number 25084864
25059981	U.S. - 6 Cyl. - Services OEM Part Number 25084470
25059982	Canadian - 6 Cyl. - Services OEM Part Number 25084532

Exchange unit consists of mechanism and circuit board, odometers and motors.

(CONTINUED)

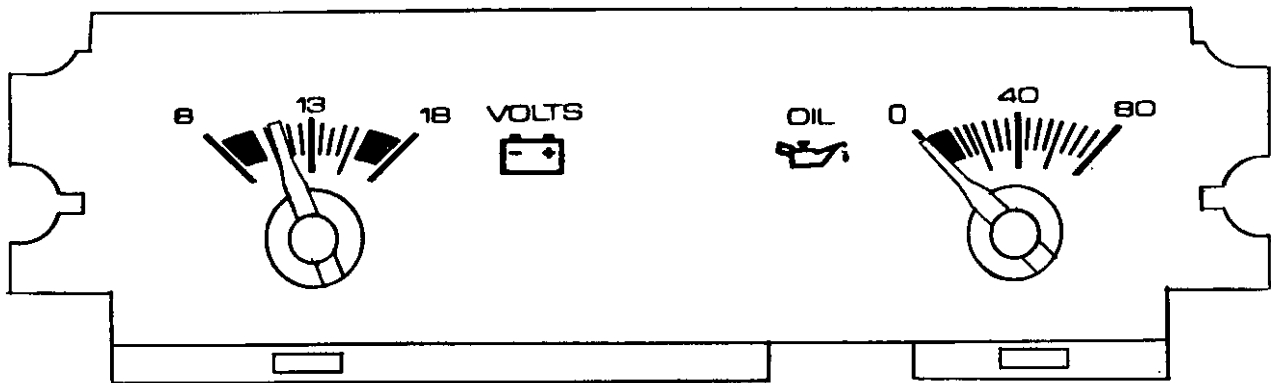


FIGURE 7

1988 FIERO MODELS
ELECTRONIC AUXILIARY GAGES

<u>EXCHANGE UNIT PART NUMBER</u>	<u>APPLICATION</u>
25079866	U.S. - Services OEM Part Numbers 25087882, 25089321 and 25089323
25081177	Canadian - Services OEM Part Numbers 25087883, 25089322 and 25089324

Exchange unit consists of mechanism and circuit board.

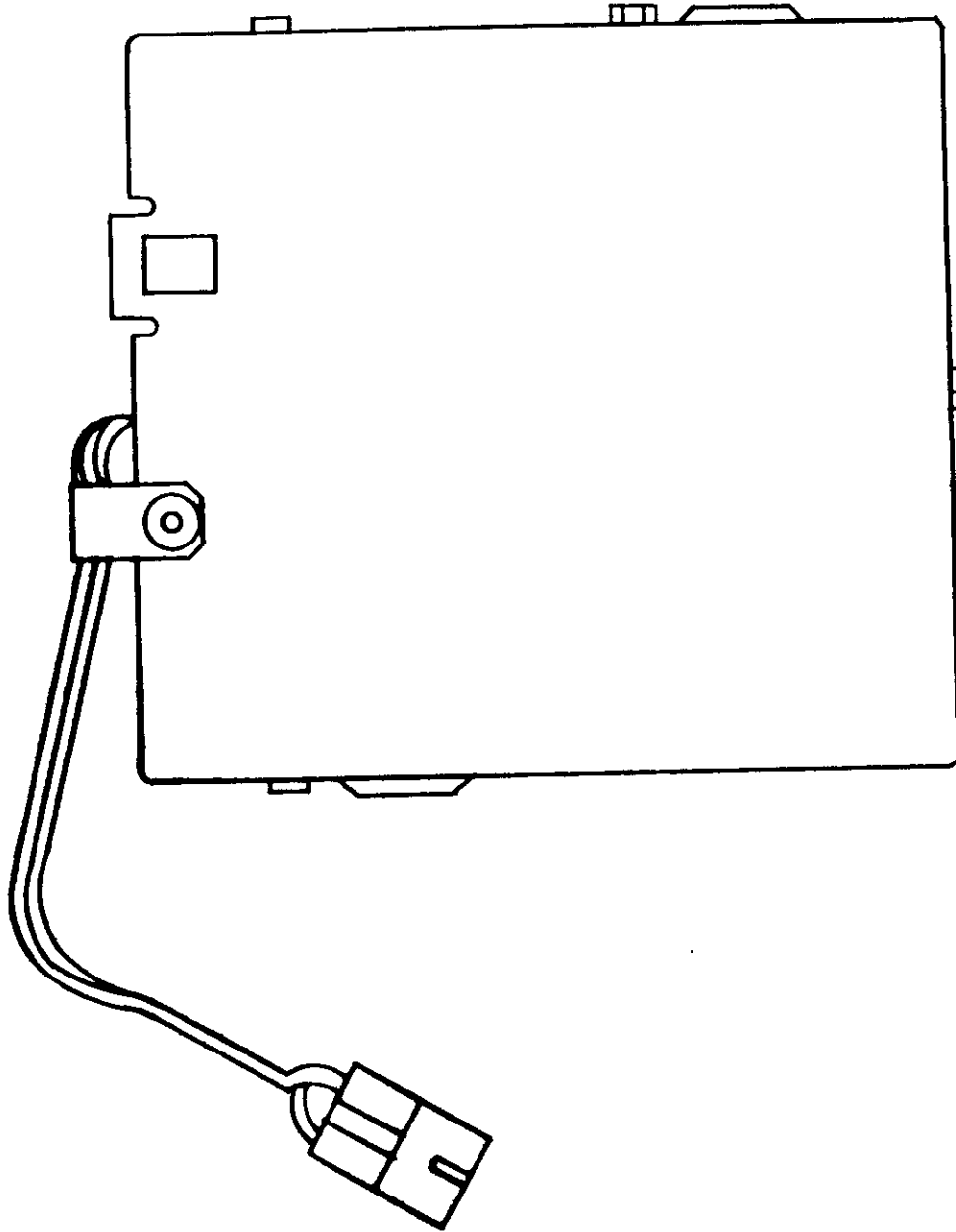


FIGURE 8

1988 6000 AND BONNEVILLE MODELS
DRIVER INFORMATION CENTER CONTROLLER

EXCHANGE UNIT/OEM
PART NUMBER

APPLICATION

16064892

6000 Models

16069232

Bonneville Models

Exchange unit consists of complete DIC controller.

(CONTINUED)

INSTRUMENT AND DISPLAY SERVICE CENTERS

ALABAMA

Rickwood Radio Service of Mobil, Inc.
1283 Azalea Road
Mobile, AL 36609
205-669-0261
1-800-334-7065

ARIZONA

Jimmy's Radio-TV Corporation
5049 North 7th Avenue
Phoenix, AZ 85013
602-264-1379
1-800-528-2056
Call Collect - AZ Only

CALIFORNIA

Auto Electric Radio
1841 West Commonwealth
Fullerton, CA 92633
714-871-7357
1-800-321-6969
1-800-321-6970 (CA Only)

Randazzon Entronix
233 Commercial Street
San Jose, CA 95112
408-293-1920
1-800-538-9702
1-800-662-9877 (CA Only)

COLORADO

Downtown Radio of Denver, Inc.
2525 West Sixth Avenue
Denver, CO 80204
303-573-6288
1-800-525-3539
1-800-332-3815 (CO Only)

FLORIDA

Techni-Car, Inc.
5688 West Crenshaw Street
Tampa, FL 33634
813-884-0022
1-800-822-0022
1-800-662-0022 (FL Only)

GEORGIA

Speedometer Service Company
8471 Roswell Road
Atlanta, GA 30350
404-998-1666
1-800-241-2385
1-800-332-1827 (GA Only)

ILLINOIS

D & B Auto Radio, Inc.
3725 N. 25th Avenue
Schiller Park, IL 60176
312-678-8475
1-800-323-4813
1-800-942-8049 (IL Only)

MARYLAND

Caton Radio, Inc.
6328 Baltimore Nt. Pk.
Catonsville, MD 21228
301-747-8667
1-800-443-6709

MASSACHUSETTS

Modern Radio Shop
34 Broadway
Wakefield, MA 01880
617-246-2052
1-800-848-4001 (New England)

INSTRUMENT AND DISPLAY SERVICE CENTERS

MICHIGAN

Specmo Enterprises, Inc.
3890 W. 11 Mile Road
Berkley, MI 48072
313-399-5645
1-800-545-7911
1-800-545-7910 (MI Only)

MINNESOTA

Auto Sound Entronix
5401 Boone Avenue North
Minneapolis, MN 55428
612-537-2121
1-800-328-0795
1-800-742-0670

MISSOURI

Autronics Auto Spec.
1450 Page Industrial Court
St. Louis, MO 63132
314-423-2323
1-800-325-1325
1-800-392-1516 (MO Only)

NEBRASKA

Radio Engineering Service
8939 "F" Street
Omaha, NE 68127
1-800-228-9275
1-800-642-1200 (NE Only)

NEW JERSEY

Eastern Electronics, Inc.
180 Essex Street
Hackensack, NJ 07601
201-342-3945 or 201-342-6060
1-800-221-2138
1-800-221-2143 (NJ Only)

NEW YORK

Model Electronics, Inc.
321 West Route 59
Nanuet, NY 10954
914-623-8020

United Radio Service
2949 Erie Boulevard East
Syracuse, NY 13224
315-446-5570
1-800-448-0944
1-800-962-0901 (NY Only)

NORTH CAROLINA

Downtown Radio Service, Inc.
920 Blairhill Road, Suite 112
Charlotte, NC 28217
704-529-1580
1-800-537-0116
1-800-522-4706 (NC Only)

OHIO

Dayton Speedometer Service, Inc.
660 North Main Street
Dayton, OH 45405
513-222-1491
1-800-543-9687
1-800-543-0719 (OH Only)

Electra Sound, Inc.
5260 Commerce Parkway West
Parma, OH 44130
216-433-9600
1-800-262-9606
1-800-252-4200 (OH Only)

INSTRUMENT AND DISPLAY SERVICE CENTERS

PENNSYLVANIA

H & R Radio Service
139 York Road
Warminster, PA 18974
215-672-3707
1-800-523-6605
1-800-492-2074 (PA Only)

R. T. Gram Company
400 Regis Avenue
Pittsburgh, PA 15236
412-655-1574
1-800-331-6645
1-800-222-5509

TENNESSEE

Rickwood Radio Service Of TN, Inc.
1830 Airplane Drive
Nashville, TN 37210
615-889-3270
1-800-423-4142

TEXAS

Speedometer Service, Inc.
3227 Skylane Drive
Carrollton (Dallas), Texas 75006
214-380-8944
1-800-527-0108
1-800-492-9026 (TX Only)

Zener Electronics, Inc.
9434 Old Katy Road - 400
Houston, TX 77055
713-932-6360
1-800-992-1092 (TX Only)

Model Auto Electronics
923 North Alamo
San Antonio, TX 78215
512-223-3827
1-800-634-9947
1-800-292-7213

VIRGINIA

Southern Autotronics, Inc.
3300 Norfolk Street
Richmond, VA 23230
804-353-5400
1-800-446-2880
1-800-572-2880 (VA Only)

WASHINGTON

Instrument Sales & Service, Inc.
18814 72nd Avenue South
Kent, WA 98032
206-251-9092
1-800-562-1082 (WA Only)

CANADA

Custone Auto Radio
1614 Charles Street
Whitby, Ontario
Canada L1N1B9
416-668-2664
1-800-263-7867 (Canada Only)

SWITZERLAND (thru Belgium now)

MR. W. VandenHoudt
GMSPO Europe/GM Cont.
Noorderlaan 75
Postbus 9
B-2030 Antwerp, Belgium

