

Bulletin Number: 88-7-22
Reference Number: 877120
Publish Date: 3/88

PONTIAC DIVISION

'88



Dealer
Service
Bulletin



Subject: DELAYED NEUTRAL TO DRIVE ENGAGEMENT
1988 THM 125/125C

Models

Affected: ALL MODELS

VEHICLE APPLICATIONS:

6000, Sunbird, Grand Am and Fiero

BULLETIN COVERS: (Figure 1)

A new Forward Clutch Housing and Thrust Washer. (Refer to Items 624 and 636 Figure 1.) This new Forward Clutch Housing contains a stamped channel which increases forward clutch feed providing a shorter neutral to drive engagement.

The new Forward Clutch Housing and Thrust Washer went into production on November 3, 1987 (Julian Date 344).

SERVICE ACTION:

Whenever this new Forward Clutch Housing is used in previous model THM 125/125C transaxles, the new Powder Metal Bronze Thrust Washer must be used. The previous Thrust Washer will not fit the new Forward Clutch assembly.

SERVICE PARTS INFORMATION:

Whenever a new Forward Clutch Housing is ordered, the Powder Metal Thrust Washer is included in the package. This new Thrust Washer can be identified by a dimple on both sides of the inside surface of the washer. (Refer to Figure 1.)

CONTINUED

Pontiac bulletins are intended for use by professional technicians, NOT a "do-it-yourselfer." They are written to inform these technicians of conditions that may occur on some vehicles, or to provide information that could assist in the proper service of a vehicle. Properly trained technicians have the equipment, tools, safety instructions, and know-how to do a job properly and safely. If a condition is described, DO NOT assume that the bulletin applies to your vehicle, or that your vehicle will have that condition. See your Pontiac dealer for information on whether your vehicle may benefit from the information.

Read, Initial & Pass On

• Service Supervision

• Parts

• Accounting

Package No.	Package Description
8664982	Forward Clutch Housing and Thrust Washer
8664762	New Thrust Washer (for models built after November 3, 1987)

When ordering a Thrust Washer (Powder Metal Bronze) for models built before December 10, 1987 (Julian Date 344) use part number 8652759.

SERVICE MANUAL REFERENCE:

Refer to Service Information on the Forward Clutch Housing contained in the THM 125/125C Unit Repair Section of the Service Manual.

CONTINUED

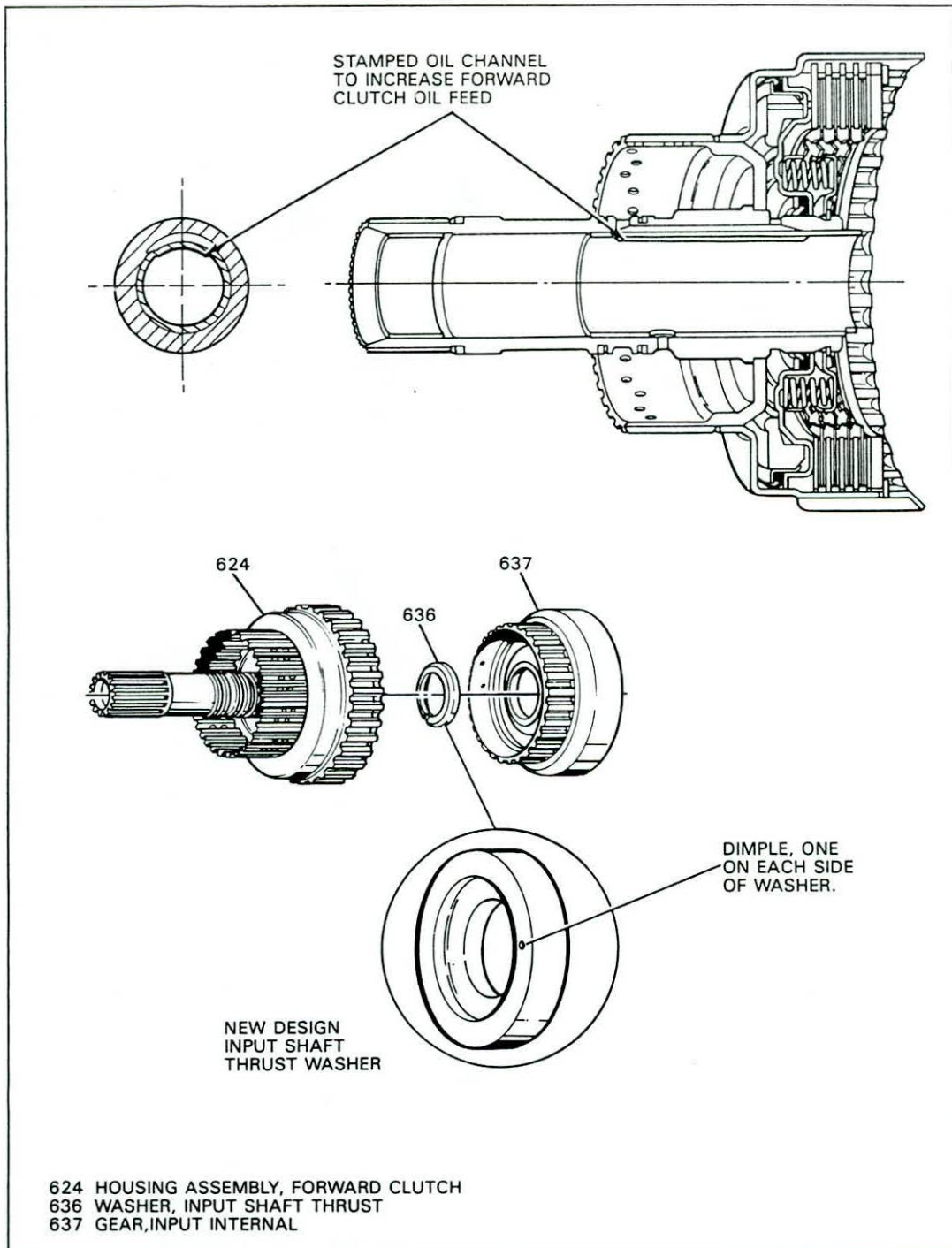


Figure 1 — New Forward Clutch Housing And Powder Metal Thrust Washer

SERVICE DEPARTMENT
PONTIAC DIVISION
GENERAL MOTORS CORPORATION

