



Bulletin Number: 88-7-18
Reference Number: 877122
Publish Date: 3/88

PONTIAC DIVISION

'88



Dealer
Service
Bulletin



Subject: NEW INPUT CARRIER THRUST WASHERS
1988 THM 125/125C (MD9)

**Models
Affected:**

6000, SUNBIRD, GRAND AM
AND FIERO MODELS

BULLETIN COVERS:

There is a new Nibron coating for Batwing and Round Washers used on Input Carrier Pinions.

DATE OF PRODUCTION CHANGE: (Figure 1)

Input Carriers with the new Nibron coated Pinion Washers were built into THM 125/125C transaxles starting with Julian Date 355 (December 21, 1987).

SERVICE ACTION:

The Pinion Washers (Round and Batwing) cannot be serviced individually.

The Input Carrier Assembly should be inspected for:

Pinion Damage
Pinion Tilt
Pinion end play - use a feeler gage -
end play range 0.24-0.69mm
(0.009" - 0.027")

If Pinion end play is not in this range, a new input carrier should be installed.

When servicing a THM 125/125C transaxle and inspection of the Input Carrier reveals any of the Input Carrier Pinion Washers are worn and/or missing, a new input carrier must be installed. This Input Carrier with new Nibron coating may be used on all past models.

CONTINUED

Pontiac bulletins are intended for use by professional technicians, NOT a "do-it-yourselfer." They are written to inform these technicians of conditions that may occur on some vehicles, or to provide information that could assist in the proper service of a vehicle. Properly trained technicians have the equipment, tools, safety instructions, and know-how to do a job properly and safely. If a condition is described, DO NOT assume that the bulletin applies to your vehicle, or that your vehicle will have that condition. See your Pontiac dealer for information on whether your vehicle may benefit from the information.

Read, Initial & Pass On

• Service Supervision

• Parts

• Accounting

SERVICE PARTS INFORMATION:

When ordering a new input carrier assembly use the following part number:

Part Number	Description
8631681	Input Carrier Assembly Complete

Service Manual Reference:

Refer to service information on the input unit parts contained in the THM 125/125C unit repair section of the service manual.

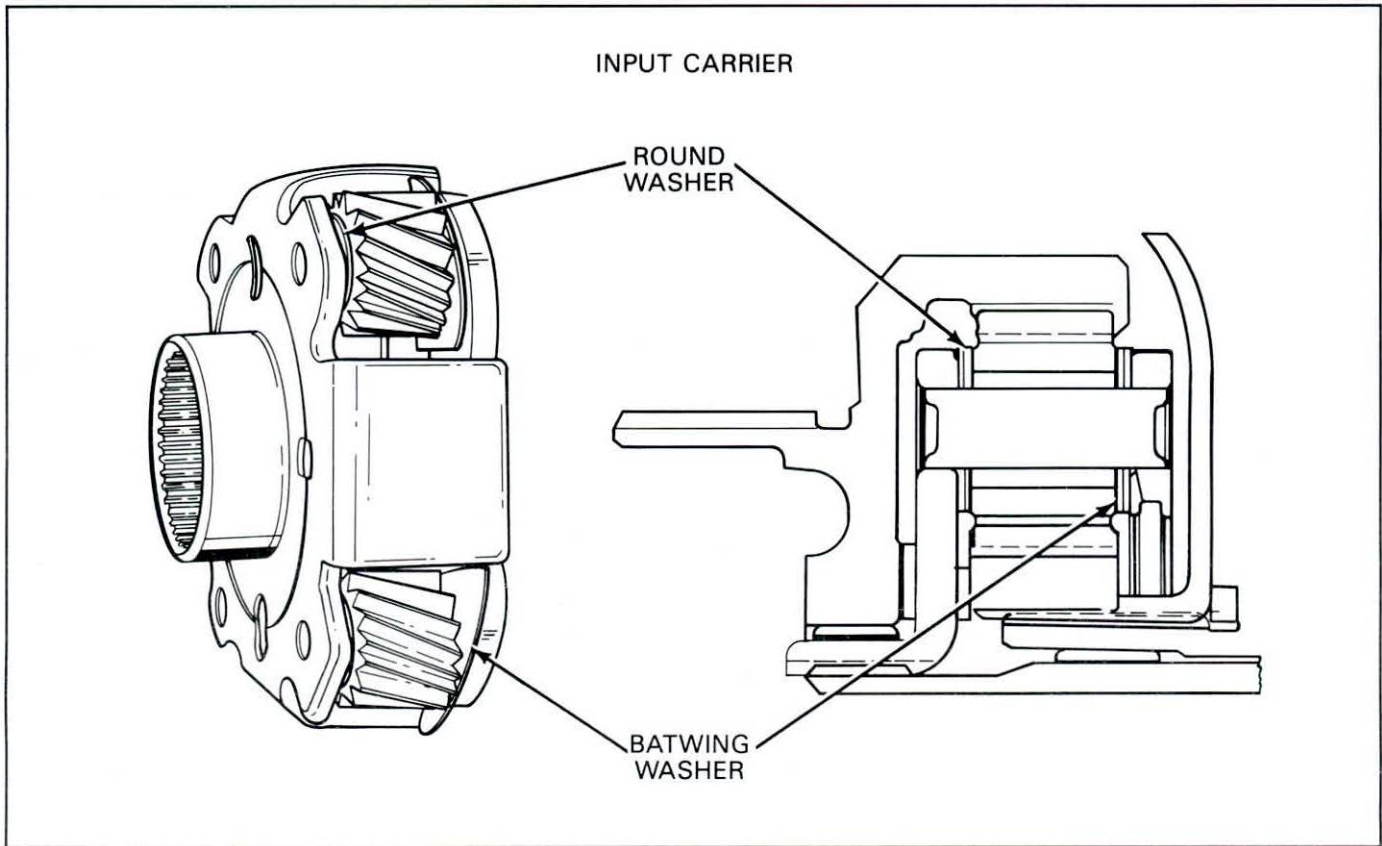


Figure 1 — Input Carrier With Batwing And Round Washers

SERVICE DEPARTMENT
PONTIAC DIVISION
GENERAL MOTORS CORPORATION