



Bulletin Number: 88-3-10  
Reference Number: 833101  
Publish Date: 1/88

PONTIAC DIVISION

'88



Dealer  
Service  
Bulletin



**Subject:** CAMBER/CASTER ADJUSTMENT TOOL

## Models

**Affected:** 1988 FIERO

### SERVICE MANUAL UPDATE

KENT-MOORE

J 36419 1988 FIERO

CAMBER/CASTER ADJUSTER

### INSTRUCTIONS:

1. Make any necessary preparations for front wheel alignment.
2. Mount J 36419 adjustment tools on the upper control arm shaft and hand tighten the thumb wheels onto the cross shaft (See Figure 1).
3. Turn adjusting screws until swivel pads contact the frame (securely).
4. Loosen the shaft bolts as required. See Figure 2.
  - A) Pivot bolt should be only slightly loosened.
  - B) Opposite bolt should be very loose.
5. NOTICE: THIS TOOL WILL ALLOW FOR OUTWARD ADJUSTMENTS ONLY. INWARD ADJUSTMENTS MUST BE MADE MANUALLY - OR - THE UPPER ARM CAN BE MOVED TO A FULL INWARD POSITION AND THEN ADJUSTED OUTWARD AS REQUIRED USING J 36419. TURN APPROPRIATE ADJUSTING SCREW CLOCKWISE TO MOVE UPPER ARM OUTWARD (SEE FIGURE 2).

(CONTINUED)

Pontiac bulletins are intended for use by professional technicians, NOT a "do-it-yourselfer." They are written to inform these technicians of conditions that may occur on some vehicles, or to provide information that could assist in the proper service of a vehicle. Properly trained technicians have the equipment, tools, safety instructions, and know-how to do a job properly and safely. If a condition is described, DO NOT assume that the bulletin applies to your vehicle, or that your vehicle will have that condition. See your Pontiac dealer for information on whether your vehicle may benefit from the information.

Read, Initial & Pass On

• Service Supervision

• Parts

• Accounting

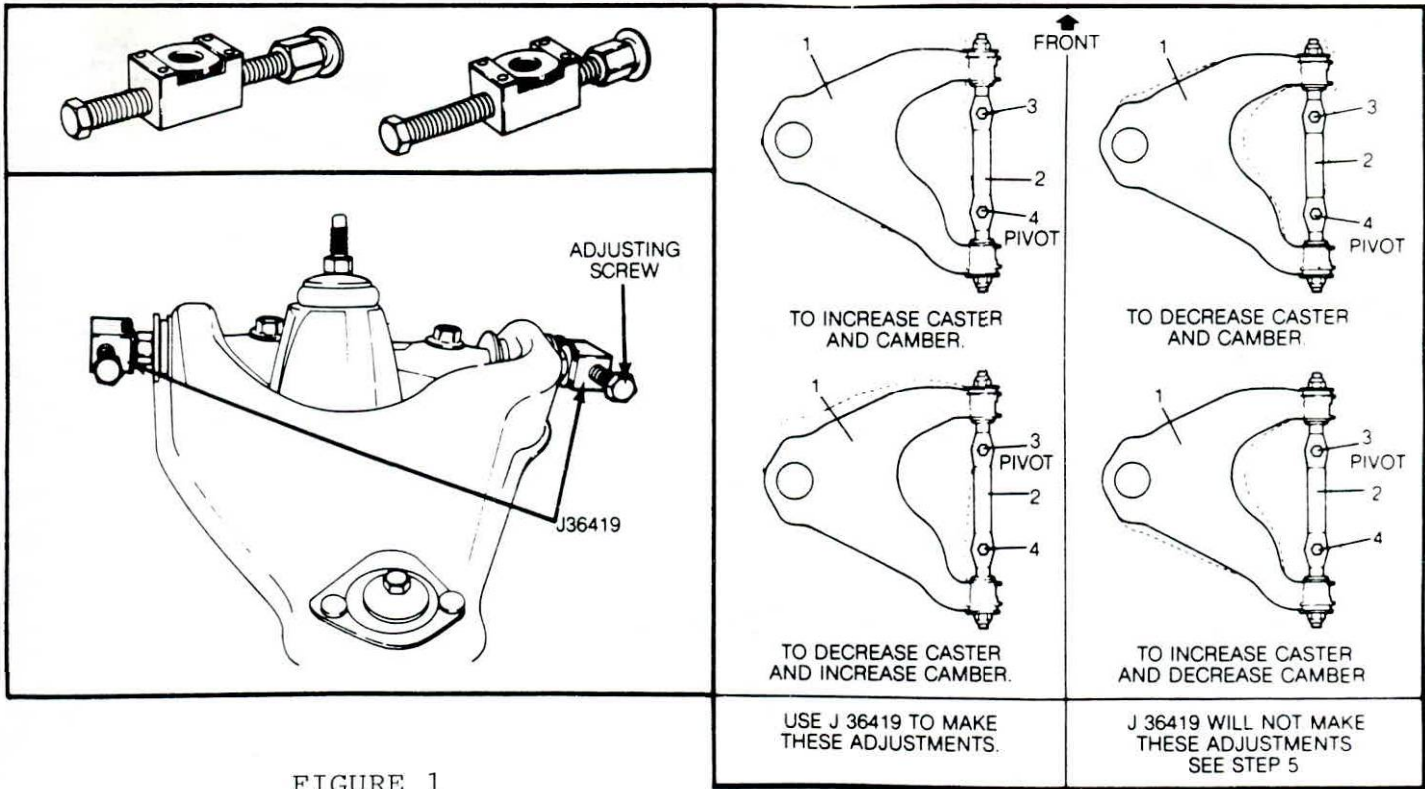


FIGURE 1

FIGURE 2

SERVICE DEPARTMENT  
 PONTIAC DIVISION  
 GENERAL MOTORS CORPORATION